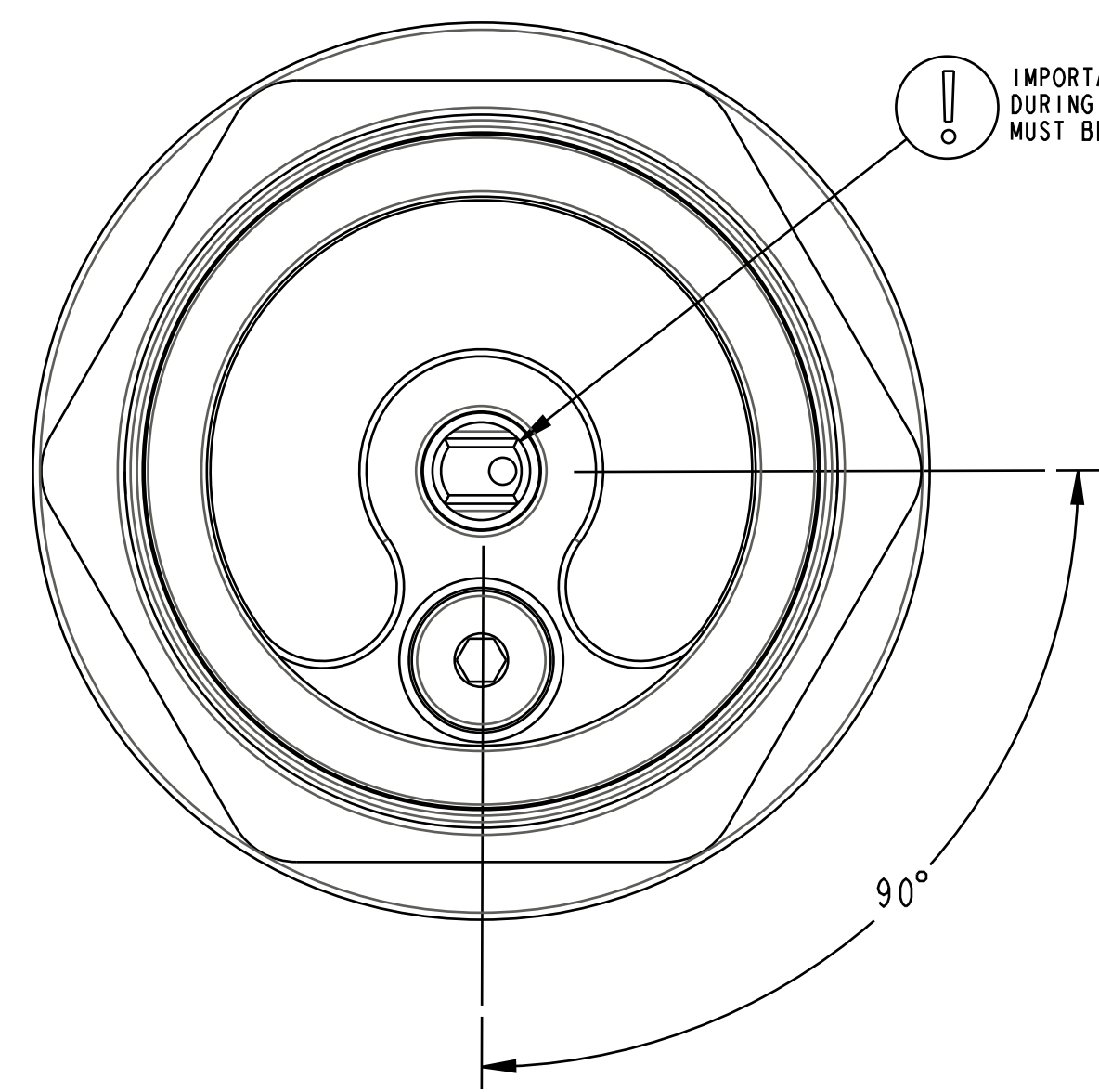
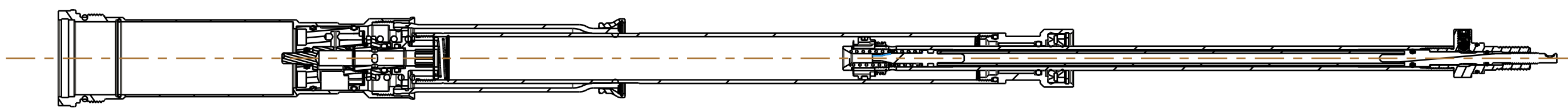


4

3

2

1



! IMPORTANT:
DURING OIL FILL, ADJUSTER WITH DOT
MUST BE ORIENTED AS SHOWN

90°

! IMPORTANT:
REWORK/RACE TECHNICIANS: USING HEX TO TORQUE CAN DAMAGE CHECK
SHIM SEAL AND LOCKOUT WILL NOT FUNCTION. GENTLE!!

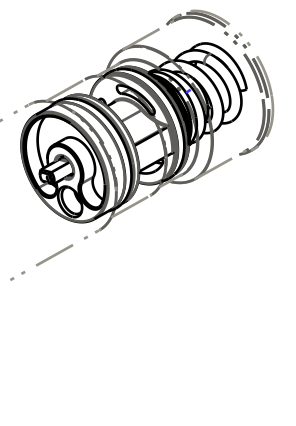
TORQUE:
75±5 IN.LB.

REBOUND ASSY

CARTRIDGE BODY

- 038-00-061 Retaining Ring: Internal, Smalley VH-56, 302 Stainless Steel
- 045-00-131 VALVE, METRIC [14.12MM OD X 10.67MM ID X 0.30MM TH]
- 039-00-205 Spring, Comp. Check, 2013 FIT-CTD, FIT-CTD Adjust and iCD
- 045-00-130 VALVE, 14.12MM OD X 6.15MM ID X 0.3MM TH
- 038-00-065 Retaining Ring: Snap, Smalley, Internal, Custom, Ø.923 BORE
- 210-22-303 Bladder, 010 RL_RLC
- 241-01-029 Bladder retainer, 011 RC2
- 210-22-609 LOWER BLADDER RING, SNAP RING, 013 32-34 CTD F/P AND iRD CD

TORQUE:
75±5 IN.LB.



TOPCAP ASSY

- 210-22-807 Damper, 2015 FIT iCTD Coupler
- 029-08-164 Seals: O-Ring [6.5mm ID x 1.5mm CS] Metric, N-70, Static

- 029-08-103 Seals: O-Ring [2.5 MM ID x 1.5 MM CS] Metric, N-70, Dynamic
- 210-22-426 SET SCREW, CUSTOM, BLEED, 2011 32 TERRALOGIC
- 029-08-140 Seals: O-Ring [24.0MM ID x 1.0MM CS] Metric, N-70, Static

PROPRIETARY - THIS DOCUMENT CONTAINS CONFIDENTIAL, PROPRIETARY INFORMATION THAT IS FOX PROPERTY. DO NOT DISCLOSE TO OR DUPLICATE FOR OTHERS EXCEPT AS AUTHORIZED BY FOX.

		FOX Factory, Inc. 130 Hangar Way, Watsonville, CA 95076 USA Ph 831-768-1100 Fax 831-768-9312
TITLE 2015 32 27.5-29in iRD Cartridge Assy		
SIZE C	DWG. NO. 0.75:1	SHEET 1 OF 1

4

3

2

1

ProE ASSEM